



CITY OF BURNET
ENGINEERING

ADDENDUM NO. 1

November 27, 2024

2024 Pump Maintenance & Replacement – RFP 2024-007
PID: N/A

Ladies/Gentlemen:

The City of Burnet issues this Addendum on the above captioned project. This Addendum details the changes and the respective bid document pages which were added and/or changed. Each bidder is required to acknowledge receipt of this Addendum, on the form included in the Addendum below. Failure to acknowledge receipt of this Addendum in your bid proposal will result in your bid not being read.

Please sign and **return** this Addendum with your sealed bid packet at time and location as advertised on the Invitation to Bid for this project. Addendum should be located at the beginning of the packet. Failure to acknowledge all the addenda issued will result in bid dismissal.

DESIGN ENGINEER APPROVAL:

Eric Belaj, PE, CFM
City Engineer

Addendum items and pertaining attachment will be included in the following pages.

BIDDER ADDENDUM ACKNOWLEDGMENT BELOW:

(Company Name)

(Bidder Rep. Name)

By: _____
(Signature)

Date: _____



CITY OF BURNET
ENGINEERING

1. **Bonds**: No Change
2. **Dates**: No Change
3. **Questions and Answers**: This Bid Addendum also answers questions posed by contractors throughout the bid process and at the pre-bid meeting as follows:
 - a. *Question from Bidder. Can city provide data sheet for pumps?*
 - a. Answer. See Attachments
 - b. *Question from Bidder. Is there a bid bond required?*
 - a. Answer. No, only the awarded bidder will be required to provide a payment bond or other approved fiscal security.
 - c. *Question from Bidder. Can a bidder bid only one of the two pump set-ups?*
 - a. Answer. No.
4. **Bid Document Changes**: This addendum changes the proposal instructions and adds items 13 and 14 of Quote 1. See attached

PROPOSAL INSTRUCTIONS

Project supplements to general conditions and standard specifications manual can be found on the City's website at www.cityofburnet.com.

1. PROJECT

Objective of Request for Competitive Sealed Bids process is to competitively procure services with a qualified contractor whose Proposal provides best value for Owner (City of Burnet) for the project description below:

2024 Pump Maintenance & Replacement, PID: RFP 2024-007, in the City of Burnet, Texas

Base Bid: Replace Cheatham Well Motor and Pump as noted below. Contractor to provide all materials, manpower, and equipment needed. Bidders are strongly encouraged to visit the site. Contractor may provide a contingency amount and revise the quote after inspection for any of the alternates. Contractor may provide a contingency amount and revise the quote after inspection. Quotes below are meant to be turn-key for tear-down and new install, to inspection and delivery. If any items herein is believed to be missing or misleading, the bidder must clarify in the bid or seek prior to bid guidance.

Quote 1: Below is the quote description to tune up Pump/motor for well #1:

1. Remove old pump and motor and ready it for maintenance.
2. Remove, disassemble, and inspect Well 1 Pump and Motor.
3. Video existing well. Provide the City with color high quality video. Video inspection to be done per city instruction on-site.
4. Tune-up Motor and pump, replace bearings, seals, and other routine maintenance, and repaint.
5. Prepare Properly Wrap Pump & Motor for storage, deliver to City at a designated location. Motor to be ready for plug-in.
6. Generate PMG repair report.
7. Install new 40-hp Motor and Pump
 - a. Motor w/ stuffing box assembly
 - b. SS Shaft
 - c. Strainer and associated items.
 - d. Provide 2" tube for transducer probe.
 - e. Install Static Level reader on stainless tubing.
 - f. Provide pressure gauge for tubing static reading.
 - g. SS clamps.
 - h. 135' of 6" Column pipe T&C
8. The motor has 1-3/16" shaft. Motor is 60-Hz 3-Phase.
9. Provide new 800 gpm @141 TDH 3 or 4 Stage Pump (Match existing)
10. Provide Pump Curve data.
11. New Cone Strainer, Column Pipe, bearing, shaft and all associated components.
12. Install new Pump and Motor, and startup procedures.
13. 1-1/4" PVC tube attached to column pipe and connected to pump head for transducer probe.
14. 1/4" Stainless tube to measure water level attached to column pipe.

Quote 2: Below is the quote description to tune up Pump/motors for Main Street Water Plant. Existing water plant has 3-600 gpm @ 230' TDH 6" Motors and vertical turbine 4-stage pumps. Please field verify. Pump and Motor removal shall be done one at a different time than the well pump for quote 1. The second removal shall not be done until the first one removed is back in place and operational.

1. Remove, Disassemble, and Inspect Pumps, Motor and Assoc. Components.
2. Inspect pump and motor, tune-up Motor and pump, replace bearings, seals, and other routine maintenance, and repaint.

3. *Prepare Properly Wrap Pump & Motor for storage, deliver to City at a designated location. Motor to be ready for plug-in.*
4. *Generate PMG repair report.*
5. *Install:*
 - a. *New 40-HP Motor & shaft*
 - b. *Motor w/ stuffing box assembly*
 - c. *New 4-stage pump to match existing 4-stage*
 - d. *New Discharge head to match existing*
 - e. *New bolts, seals, and associated components.*
6. *Provide Pump Curve data.*
7. *Contractor to visit the site and understand any removal and reinstall site challenges.*
8. *Start-up.*

All components must have 1-year parts and labor warranty.

The City's pre-approved pump is a SimFlo SM-10H 3 Stage Bowl Assembly for the well and SimFlo SM10M-4 Stage Bowl Assembly for the water plant; and a 40-hp Motor from US Motors for the well. The City prefers matching brands and not have dissimilar brands between quotes or existing infrastructure. The pre-approved material may not have widespread availability. As such, respondent who cannot provide a price for the pre-approved material shall provide alternate material pricing. Alternate/as-equal materials should meet or exceed the capabilities of the pre-approved material in performance, maintenance period, durability, and other factors. Proposals with alternate material pricing should include submittals to demonstrate compliance with the specifications.

The successful bidder shall furnish all materials, labor, tools, public safety equipment, and incidentals necessary to complete this project. Project must be complete in the months December-April. Each project item shall be complete in one day, within the same week:

1. *Tear down in one day.*
2. *Video: 3-days later, but within the day.*
3. *New install in one day, within the same week.*
4. *No work other than Monday-Thursday.*

15. PROPOSAL EVALUATION

Proposals will be received, publicly opened, and names and monetary proposals of each Offeror read aloud. Subsequently, proposals will be evaluated and ranked according to the selection criteria described in this RFP. Not later than 45 days following the date the proposals were opened, the City will complete the evaluation and ranking of each proposal. The City will select the Offeror whose proposal offers the best value for the City based on the selection criteria and the City's evaluation. The City will enter into contract negotiations with highest ranked offeror for award of a contract to complete the Project. If negotiations with highest ranked firm are unsuccessful, the City will formally close negotiations with that firm and negotiate with next highest ranked firm, and so on. Upon agreement and receipt of the Offeror's signature on the Standard Construction Contract, as contained in this RFP, the city council shall consider award of the contract to the Offeror and upon approval, Contract will be executed by Owner.

The entire RFP and all accompanying documentation should be considered when submitting a responsive proposal. Offerors have responsibility for the completeness and responsiveness of a proposal. The City reserves the right to reject or otherwise disqualify any Offeror whose proposal contains errors even if such errors arise from an Offeror's misinterpretation of the RFP and associated documents. Dates, locations, and times of the proposal submittal are outlined in the Advertisement for Proposal.

The City and Engineer, in making copies of Bid Documents available on above noted terms, do so only for purpose of obtaining Proposals for Work and do not confer a license or grant for any other use.

16. SELECTION CRITERIA

The City, through the city council, has delegated authority for evaluation and ranking of proposals to a sub-committee comprised of city council members and/or city staff. The sub-committee will evaluate each Offeror's proposal using the following criteria and weighting:

1. Project Cost: 50 points
Offeror's Proposed Cost of Performing Work shall be indicated in the Bid or Proposal Form.
2. Experience and reputation of Offeror & quality of Offeror's goods: 30 points
Provide general information about the corporate structure, organization, and professional history of Offeror including value of work under contract and bonding capacity. Organization and a Statement of Qualifications. Include information on Projects of similar size and type which Offeror has performed in the last five (5) years. This list is to include name and a current telephone number of references for each listed project. Offerors shall confirm the ability to procure and install the pre-approved materials as addressed in section 1 above. Offerors who cannot procure pre-approved material shall include information on proposed alternate materials with all information required for an as-equal evaluation per section 1.
3. Schedule Compliance: 10 points
Provide information showing Offeror's approach to scheduling, expected production rates, and processes to ensure schedule compliance. on Offeror's ability to devote adequate resources to the Project. If subcontractors will be utilized by Offeror, include information for schedule control applicable to subcontractors.
4. Other Factors: 10 points
Owner will consider other factors in evaluating Bids, including but not limited to the following:
 - a. The bidder's past relationship with the municipality.
 - b. Audited financial statement.
 - c. Safety: Demonstrated success in implementation of a site safety program.
 - d. Litigation History: Provide a list of all litigation, whether in court or arbitration, involving construction Projects in which Offeror has been a named party in the last five (5) years.

The criteria and weighting for the ranking of Offeror's Proposals is as outlined Below:

<u>Item No.</u>	<u>Evaluation Criteria</u>	<u>Points</u>
1.	Project Cost	50
2.	Experience & Reputation	30
3.	Schedule Compliance	10
4.	Other Factors	10
TOTAL		100

To permit the process of evaluation, ranking, and negotiation to occur as outlined in section 2 above, Offerors may not withdraw their Proposals for 90 calendar days from date on which Proposals are opened. If a submitted BID is withdrawn within the said period, BID guarantee shall become property of the OWNER, not as penalty, but as liquidated damages, and OWNER may pursue other action allowed by law.

Proposal Security of up to the five (5) highest-ranking firms will be held by Owner until contract negotiations are finalized. The successful Offeror, after city council approval of award, must furnish required bonds on forms provided with the Contract Documents. Performance and payment bonds shall be issued in an amount of one hundred percent (100%) of the contract amount from a solvent Surety company, authorized to do business in the State of Texas and

acceptable to the OWNER. Prior to the City's final acceptance of the Work and payment of retainage, the selected Offeror shall issue the City a Maintenance Bond with a one-year term and a penal sum of ten (10) percent of the contract amount.

4. OTHER PROCEDURES

Owner may conduct such investigations as Owner deems necessary to assist in evaluation of any Proposal and to establish the responsibility, qualifications and financial ability of Offerors in accordance with information submitted with a proposal.

Owner, at its discretion, may also choose to conduct interviews with any/all of the Offerors. Failure to participate in the interview may result in disqualification. Should Owner choose to conduct interviews with top ranking Offerors, they will be notified of:

1. Time and place for interview.
2. Interview format and agenda.
3. Individuals that are expected to participate in the interview.

Owner reserves right to adopt most advantageous interpretation of Proposals submitted in case of ambiguity or lack of clearness in stating Proposal Prices, to reject any or all Proposals, and/or waive informalities.

Company: SIMFLO

Name:

Water Plant

Date: 6/27/2023

water plant
bidder to
field verify



Pump: **Search Criteria:**

Size: SW12M (3 stage)

Flow: 600 US gpm

Head: 230 ft

Type: VERTTURBINE
Synch Speed: 1800 rpm

Speed: 1770 rpm
Dia: 9.07 in

Fluid:

Curve: Impeller: SW12M

Water
Density: 62.32 lb/ft³
Viscosity: 0.9946 cP
NPSHa: ---

Temperature: 68 °F
Vapor Pressure: 0.3391 psi a
Atm Pressure: 14.7 psi a

Specific Speeds:

Ns: 1556
Nss: 8031

Dimensions:

Suction: 6 in
Discharge: 6 in

Motor:

Vertical Turbine:

Bowl Size: 11.6 in
Max Lateral: 1.13 in
Thrust K Factor: 6.5 lbf/ft

Standard: US
Enclosure: TYPE 1

Size: 50 hp
Speed: 1800 rpm
Frame: ---

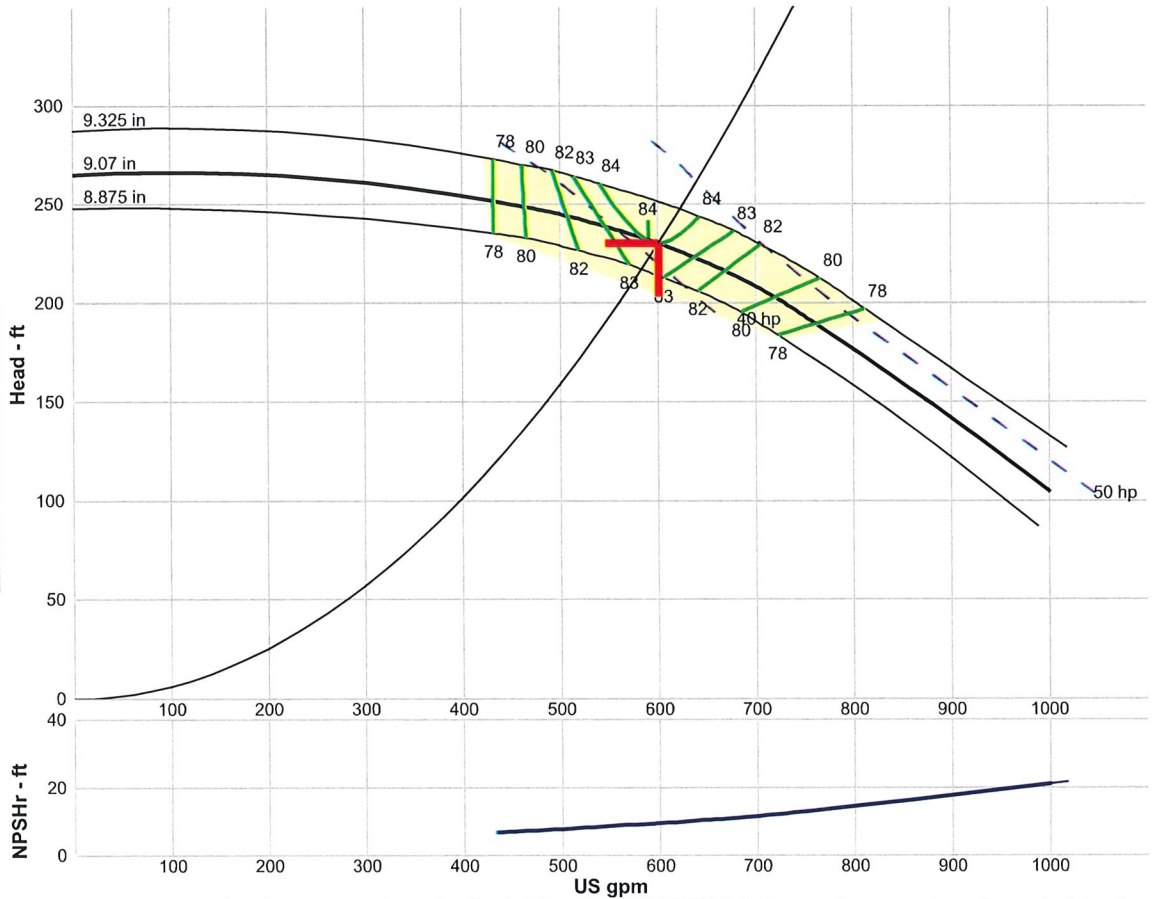
Sizing Criteria: Max Power on Design Curve

Pump Limits:

Temperature: ---
Pressure: 1140 psi g
Sphere Size: 0.66 in

Power: 376 hp
Eye Area: 15.9 in²

---- Duty Point ----	
Flow:	600 US gpm
Head:	230 ft
Eff:	84%
Power:	41.6 hp
NPSHr:	9.5 ft
---- Design Curve ----	
Shutoff Head:	265 ft
Shutoff dP:	115 psi
Min Flow:	---
BEP:	84% @ 590 US gpm
NOL Power:	47.7 hp @ 1001 US gpm
-- Max Curve --	
Max Power:	51.8 hp @ 812 US gpm

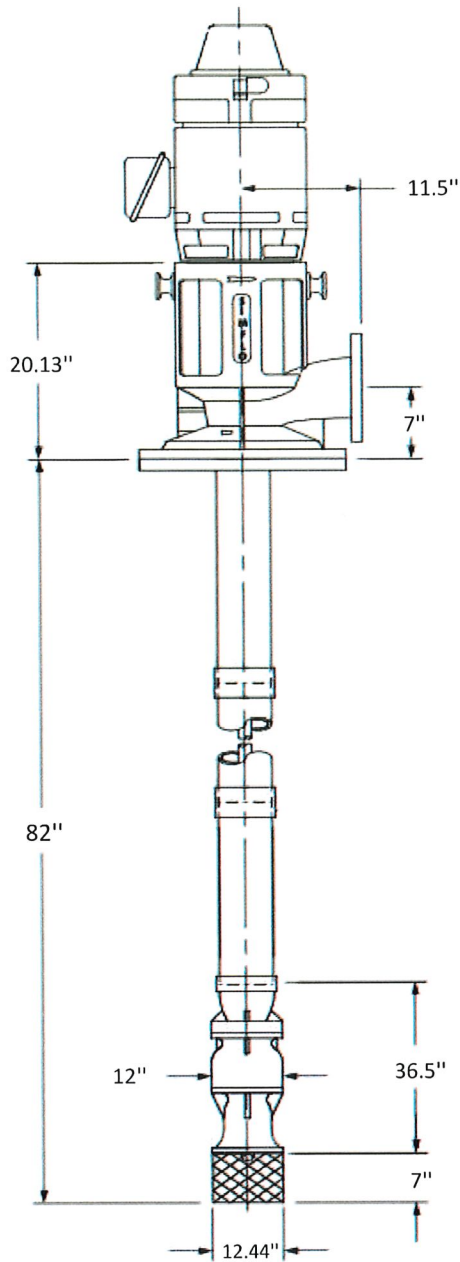


Data reflects nominal performance and may be derated for specified ANSI/HI 14.6 acceptance grade and/or materials of construction. Consult factory. www.simflo.com - info@simflo.com

Performance Evaluation:

Flow US gpm	Speed rpm	Head ft	Efficiency %	Power hp	NPSHr ft
720	1770	203	80	46.1	12.1
600	1770	230	84	41.5	9.49
480	1770	247	80.7	37	7.48
360	1770	---	---	---	---
240	1770	---	---	---	---

SIMFLO®



BOWL MODEL	SW12M
COLUMN PIPE	6" 0.280W
DISCHARGE HEAD	SHC-6
DISCHARGE HEAD SEAL TYPE	PACKING
LINESHAFT SIZE	1"
VHS MOTOR HP SIZE	HO50V2BLG
IMPELLER SETTING	0.25"

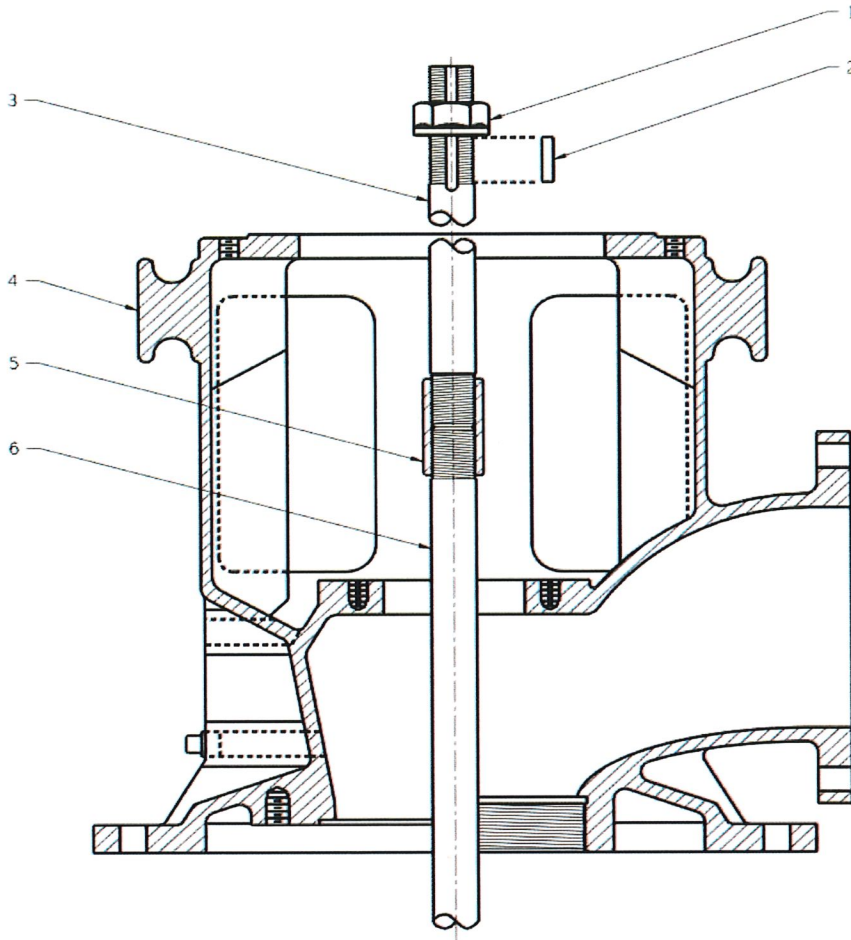
TOTAL PUMP LENGTH	82"
BOWL LENGTH	36.5"
BOWL DIA	12"
STRAINER LENGTH	7"
STRAINER CLEAR DIA	12.44"
TOTAL BOWL LENGTH	36.5"
DISCHARGE HEAD HEIGHT	20.13"
DISCHARGE HEAD RISER	7"
FLANGE FROM CENTER	11.5"

water plant
bidder to
field verify

SIMFLO[®]

water plant
bidder to
field verify

Cast Discharge Head

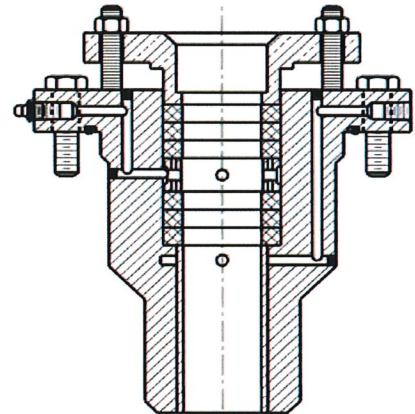
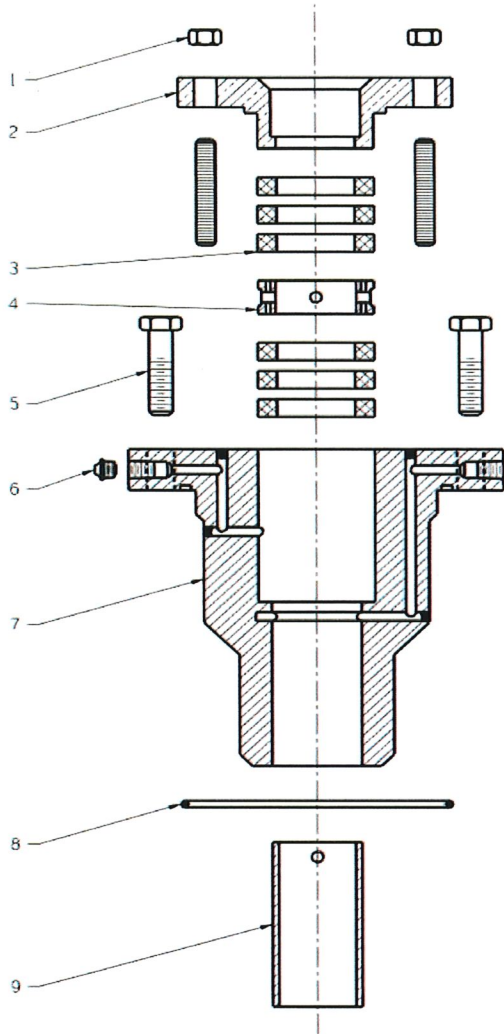


Label	Part Name	Material
1	HEAD NUT	C89833 BRONZE
2	GIB KEY	C1018 CARBON STEEL KEYSTOCK
3	MOTOR-SHAFT	1045 CARBON STEEL
4	DISCHARGE HEAD	GR. 65-45-12 DUCTILE IRON
5	HEAD-SHAFT COUPLING (THREADED)	304 SS
6	HEAD-SHAFT	416 HT SS
NOT SHOWN	MOTOR RISER	NOT APPLICABLE / NOT SPECIFIED

SIMFLO[®]

water plant
bidder to
field verify

Packing Gland Seal Assembly



Label	Part Name	Material
1	STUD AND NUT	COMMERCIAL 18-8 SS
2	PACKING GLAND	C89833 BRONZE
3	PACKING	GRAPHITE IMPREGNATED
4	LANTERN RING	UHMW
5	CAP SCREW	COMMERCIAL 18-8 SS
6	PIPE PLUG	COMMERCIAL
7	PACKING HOUSING	CL. 30 CAST IRON
8	PACKING HOUSING O-RING	NITRILE
9	PACKING HOUSING BEARING	C89835 BRONZE

Pump Data Sheet - SIMFLO

Company: Jurgensen Pump
 Name: Chris Browder
 Date: 05/31/2023

City of Burnet
 Cheatham Well #1

**Ex. Cheatham 2 Well
 bidder to Verify**



Pump:

Size: SM10H (stages: 3)	<u>Dimensions:</u>	Name: Water
Type: VERTTURBINE	Suction: 6 in	SG: 1
Synch Speed: 1800 rpm	Discharge: 6 in	Density: 62.4 lb/ft ³
Dia: 7.99 in	<u>Vertical Turbine:</u>	Viscosity: 1.1 cP
Curve: SM10H.06.T.4646.0522	Eye Area: 13.5 in ²	Temperature: 60 °F
Impeller: SM10H	Bowl Size: 10.2 in	Vapor Pressure: 0.256 psi a
Specific Speeds: Ns: 2465	Max Lateral: 1.06 in	Atm Pressure: 14.7 psi a
Nss: 7710	Thrust K Factor: 7.8 lb/ft	Margin Ratio: 1

Pump Limits:

Temperature: ---	Sphere Size: 0.88 in
Wkg Pressure: 1059 psi g	Power: 253 hp

Motor:

Standard: US	Size: 40 hp
Enclosure: TYPE 1	Speed: 1800 rpm
Frame: ---	
Sizing Criteria: Max Power on Design Curve	

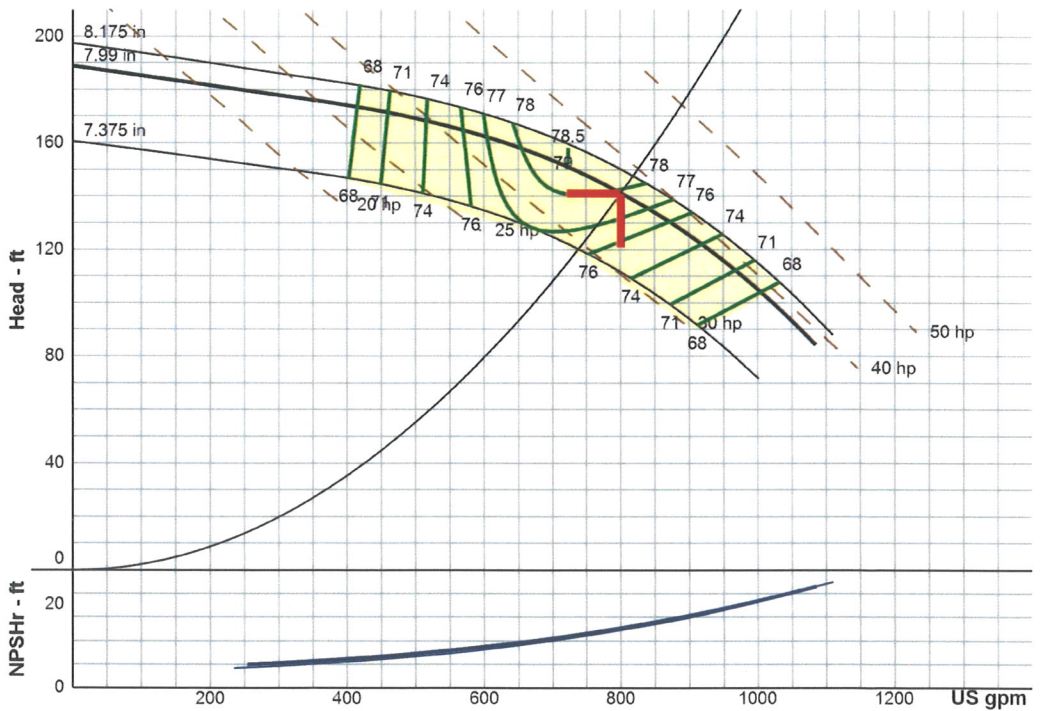
Search Criteria:

Flow: 800 US gpm	Near Miss: ---
Head: 141 ft	Static Head: 0 ft

Pump Selection Warnings:

None

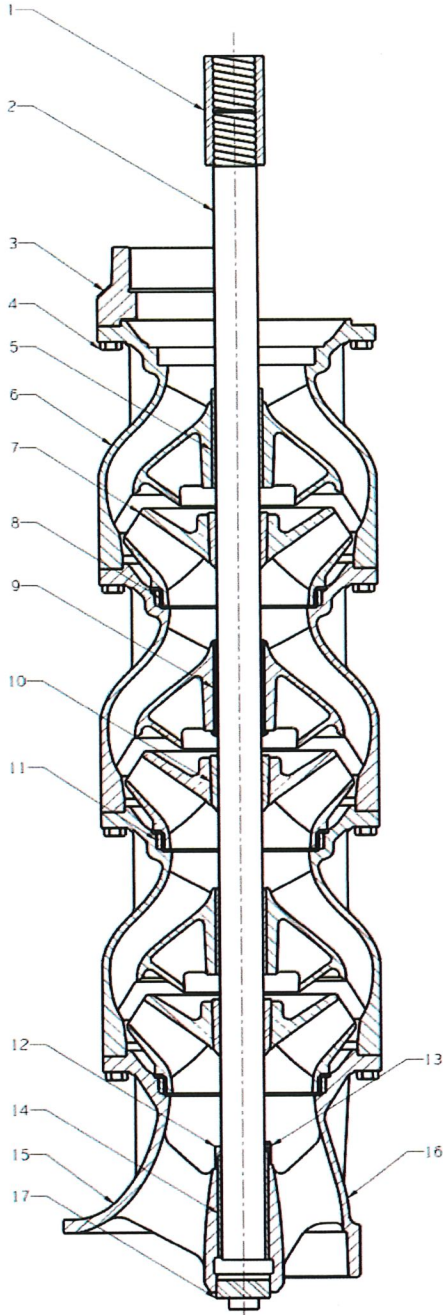
--- Duty Point ---	
Flow:	801 US gpm
Head:	141 ft
Eff:	77.8%
Power:	36.7 hp
NPSHr:	12.8 ft
Speed:	1770 rpm
--- Design Curve ---	
Shutoff Head:	189 ft
Shutoff dP:	81.8 psi
Min Flow:	--- US gpm
BEP:	78.5% @ 723 US gpm
NOL Power:	38.8 hp @ 1005 US gpm
--- Max Curve ---	
Max Power:	41 hp @ 1110 US gpm



Data reflects nominal performance and may be derated for specified ANSI/HI 14.6 acceptance grade and/or materials of construction. Consult factory. www.simflo.com - info@simflo.com

Performance Evaluation:

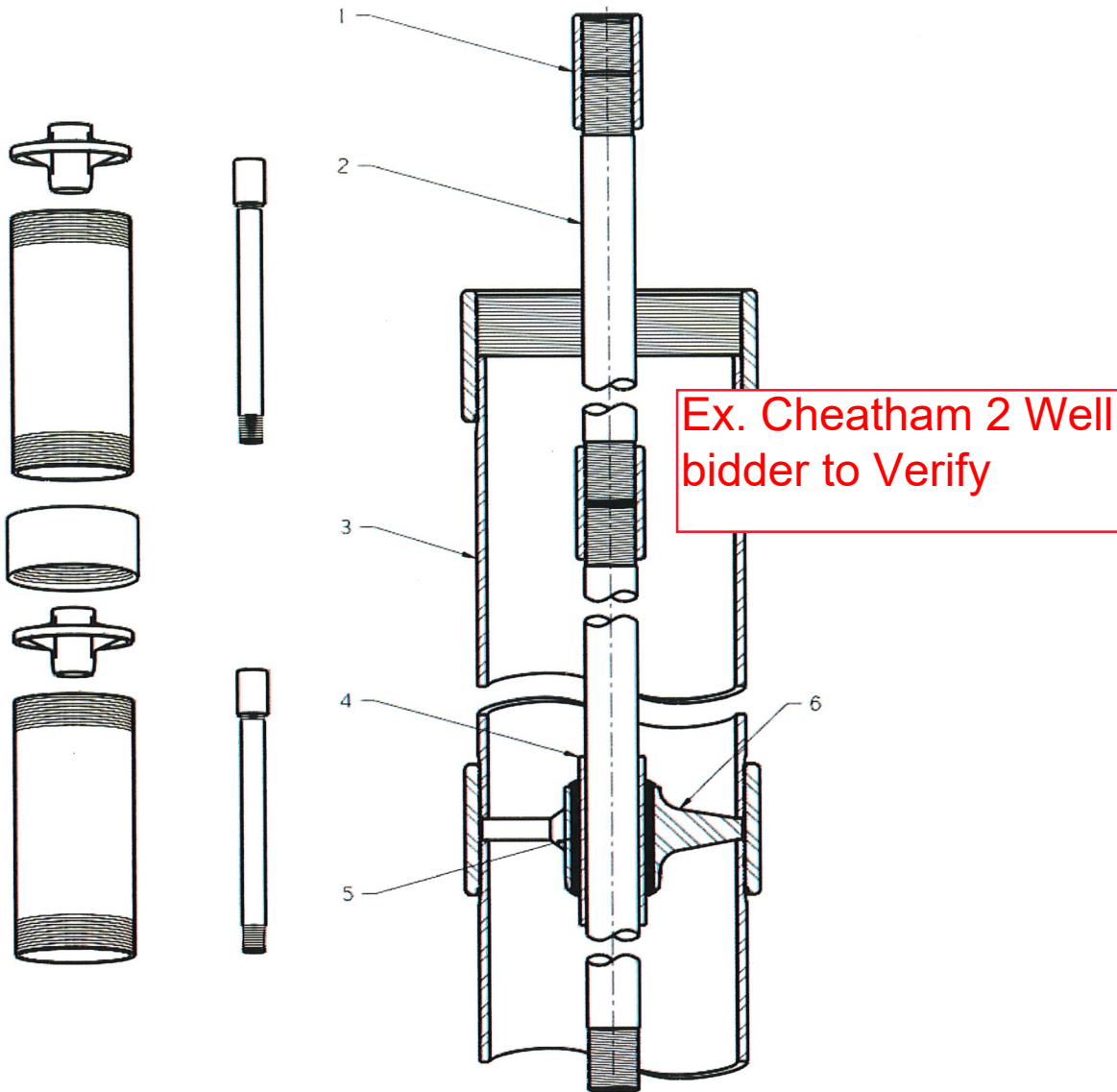
Flow US gpm	Speed rpm	Head ft	Efficiency %	Power hp	NPSHr ft
960	1770	114	71.5	38.6	17.2
800	1770	141	77.9	36.7	12.8
640	1770	159	77.7	33.1	9.41
480	1770	170	72.1	28.7	7.03
320	1770	177	58.9	23.9	5.51



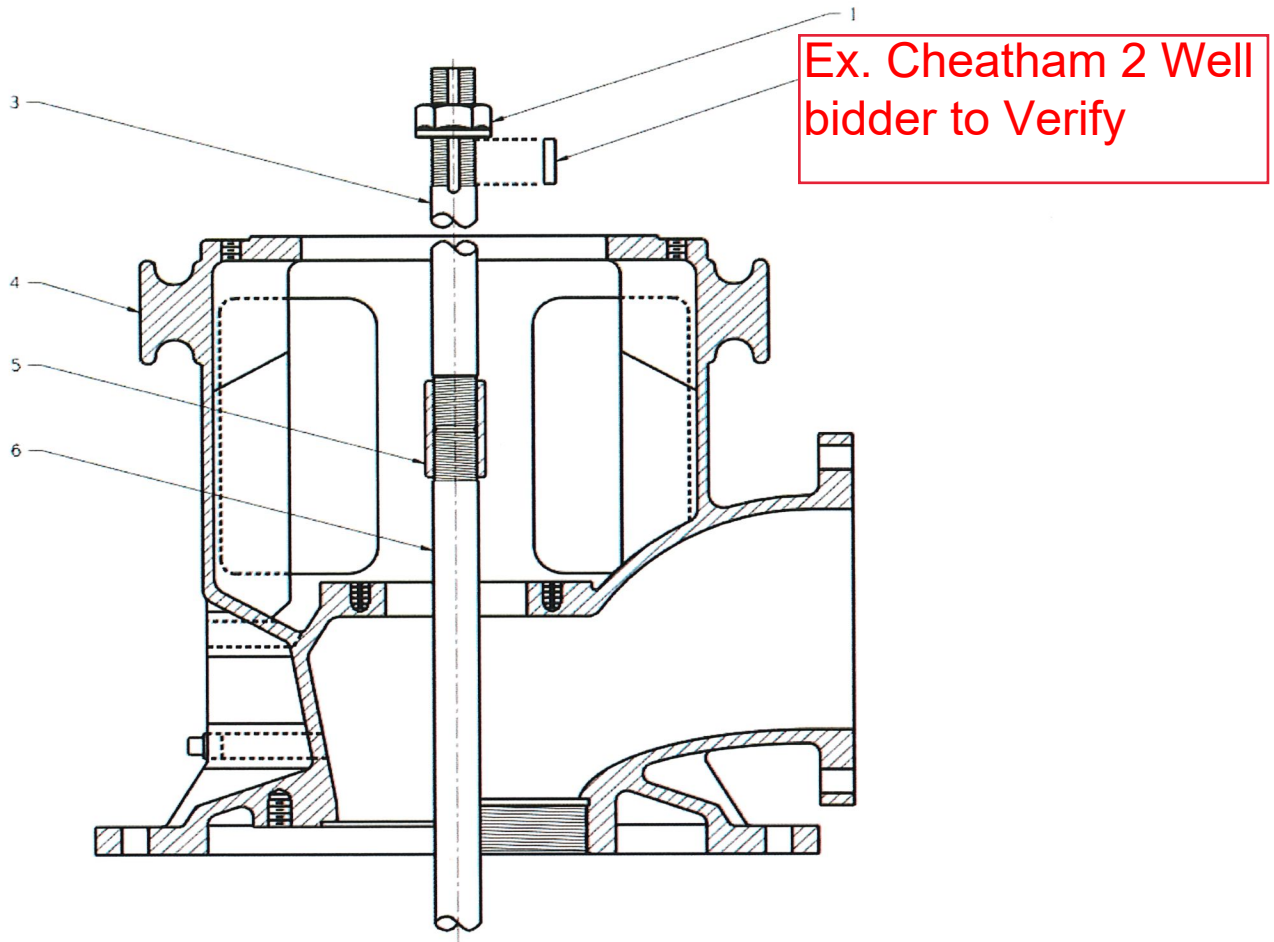
Note: bowls are vitreous porcelain enamel or fusion bonded epoxy lined

Ex. Cheatham 2 Well
bidder to Verify

Label	Part Name	Material
1	BOWL-SHAFT COUPLING	304 SS
2	BOWL-SHAFT	416 HT SS
3	DISCHARGE CASE	CL. 30 CAST IRON
4	CAP SCREW	COMMERCIAL 18-8 SS
5	STEADY BEARING	C89835 BRONZE
6	INTERMEDIATE BOWL	CL. 30 CAST IRON
7	IMPELLER	316 SS
8	IMPELLER WEAR RING (OPTIONAL)	NOT APPLICABLE / NOT SPECIFIED
9	INTERMEDIATE BEARING	NOT APPLICABLE / NOT SPECIFIED
10	IMPELLER COLLET	316 SS
11	BOWL WEAR RING (OPTIONAL)	NOT APPLICABLE / NOT SPECIFIED
12	SAND COLLAR	C89835 BRONZE
13	SAND COLLAR SET SCREW	COMMERCIAL SS
14	SUCTION CASE BEARING	C89835 BRONZE
15	SUCTION CASE (BELL)	CL. 30 CAST IRON
16	SUCTION CASE (THREADED)	CL. 30 CAST IRON
17	SUCTION CASE PIPE PLUG	COMMERCIAL CAST IRON
NOT SHOWN	BOWL O-RING	NOT APPLICABLE / NOT SPECIFIED
NOT SHOWN	BASKET STRAINER (BOLT ON)	304 SS



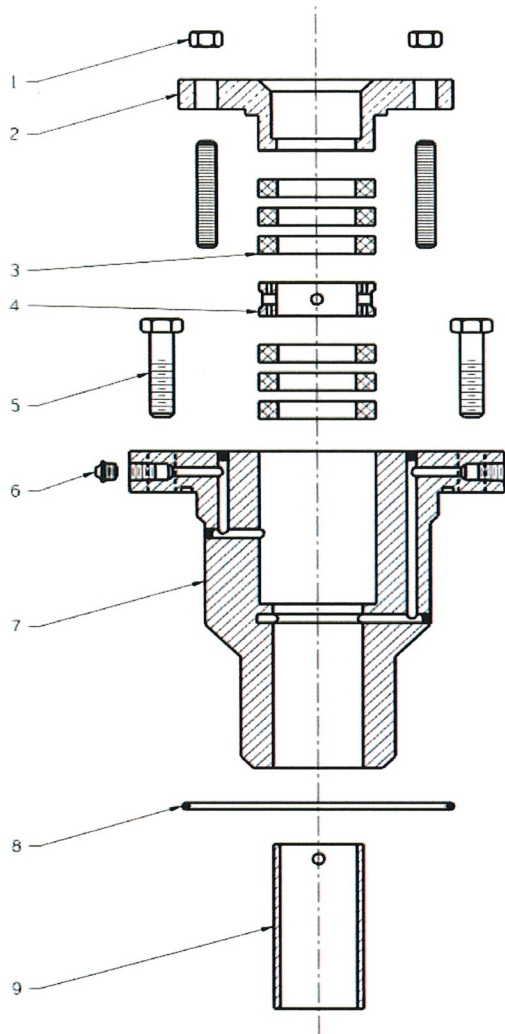
Label	Part Name	Material
1	LINE-SHAFT COUPLING	304 SS
2	LINE-SHAFT	416 HT SS
3	COLUMN PIPE (THREADED & COUPLED)	GR. B CARBON STEEL
4	SHAFT SLEEVE (OPTIONAL, NOT RECOMM)	NOT APPLICABLE / NOT SPECIFIED
5	LINE-SHAFT BEARING	NEOPRENE
6	BEARING RETAINER (DROP IN)	304 SS



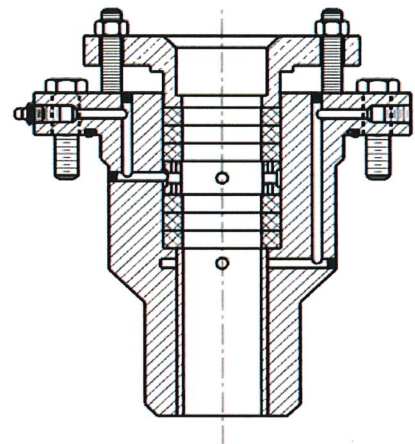
Label	Part Name	Material
1	HEAD NUT	C89833 BRONZE
2	GIB KEY	C1018 CARBON STEEL KEYSTOCK
3	MOTOR-SHAFT	1045 CARBON STEEL
4	DISCHARGE HEAD	GR. 65-45-12 DUCTILE IRON
5	HEAD-SHAFT COUPLING (THREADED)	304 SS
6	HEAD-SHAFT	416 HT SS
NOT SHOWN	MOTOR RISER	NOT APPLICABLE / NOT SPECIFIED

SIMFLO®

Packing Gland Seal Assembly



Ex. Cheatham 2 Well
bidder to Verify



Label	Part Name	Material
1	STUD AND NUT	COMMERCIAL 18-8 SS
2	PACKING GLAND	C89833 BRONZE
3	PACKING	GRAPHITE IMPREGNATED
4	LANTERN RING	UHMW
5	CAP SCREW	COMMERCIAL 18-8 SS
6	PIPE PLUG	COMMERCIAL
7	PACKING HOUSING	CL. 30 CAST IRON
8	PACKING HOUSING O-RING	NITRILE
9	PACKING HOUSING BEARING	C89835 BRONZE